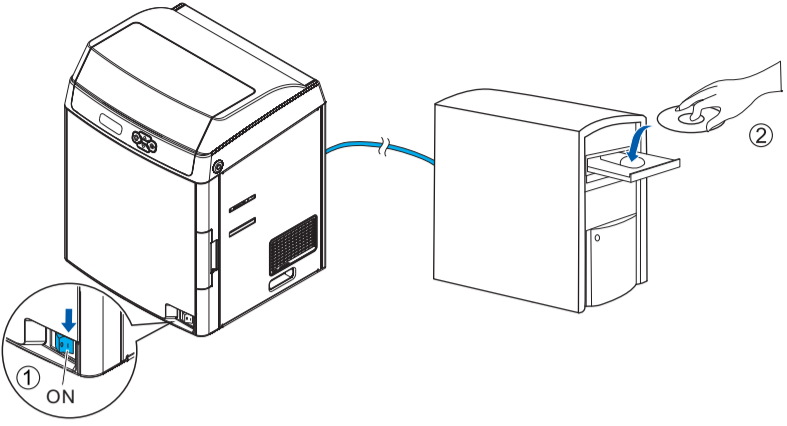
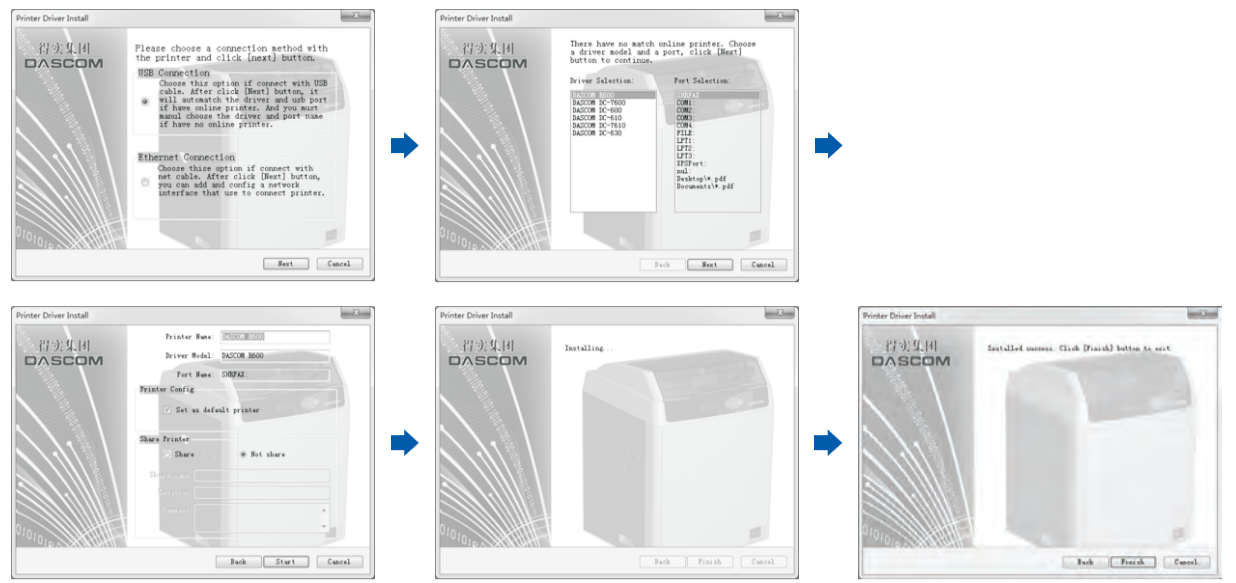


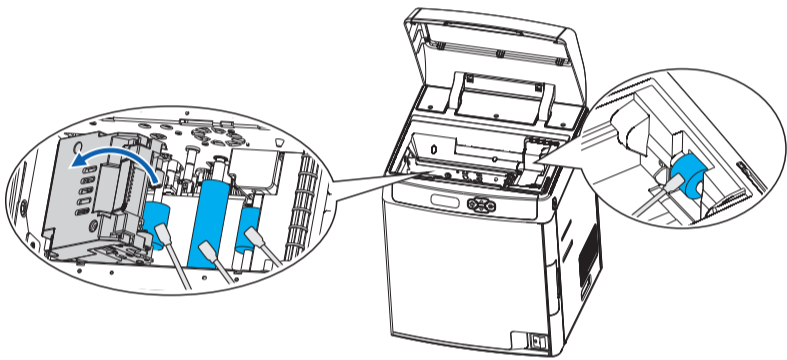
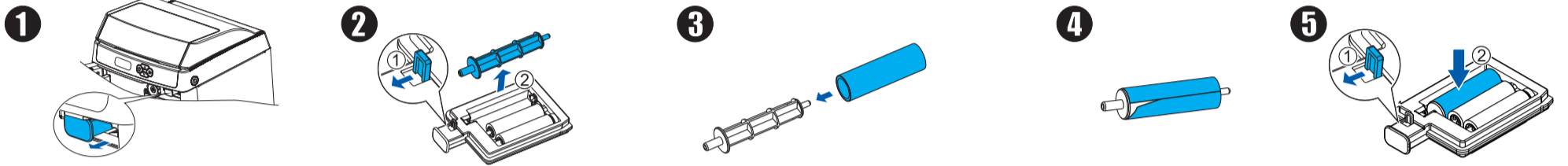
# 6 Driver



# Windows



# 7 Cleaning Rolls



# Questions



A.



CD-ROM

B.

<http://www.dascom.com>

User Guide

# DC-7600 Card Printer

# Installation Guide

# DASCOM

EN

## Installation Guide

Read the following instructions thoroughly before starting up your printer. For detailed information and safety recommendations, refer to the User Guide on the CD-ROM.

GE

## Installationshandbuch

Lesen Sie bitte diese Hinweise durch bevor sie den Drucker in Betrieb nehmen. Ausführliche Informationen und Sicherheitsempfehlungen finden Sie im User Guide auf der CD-ROM.

FR

## Guide d'installation

Lire attentivement les instructions suivantes avant de mettre l'imprimante en service. Pour plus d'informations et des recommandations concernant la sécurité, reportez-vous à l'User Guide sur le CD-ROM Online.

IT

## Guida di installazione

Prima di mettere in funzione la stampante, leggere attentamente le seguenti indicazioni. Per informazioni dettagliate e suggerimenti sulla sicurezza consultare il manuale User Guide sul CD-ROM online.

SP

## Guía de instalación

Lea las siguientes instrucciones detalladamente antes de poner la impresora en funcionamiento. Para obtener información detallada y recomendaciones sobre seguridad consulte la Guía de Usuario en la documentación en el CD-ROM.

RU

## Руководство по установке

Прочитайте, пожалуйста, инструкцию по технике безопасности перед включением в работу принтера. Подробная информация и инструкция по технике безопасности Вы найдете в руководстве пользователя на CD-ROM.

PT

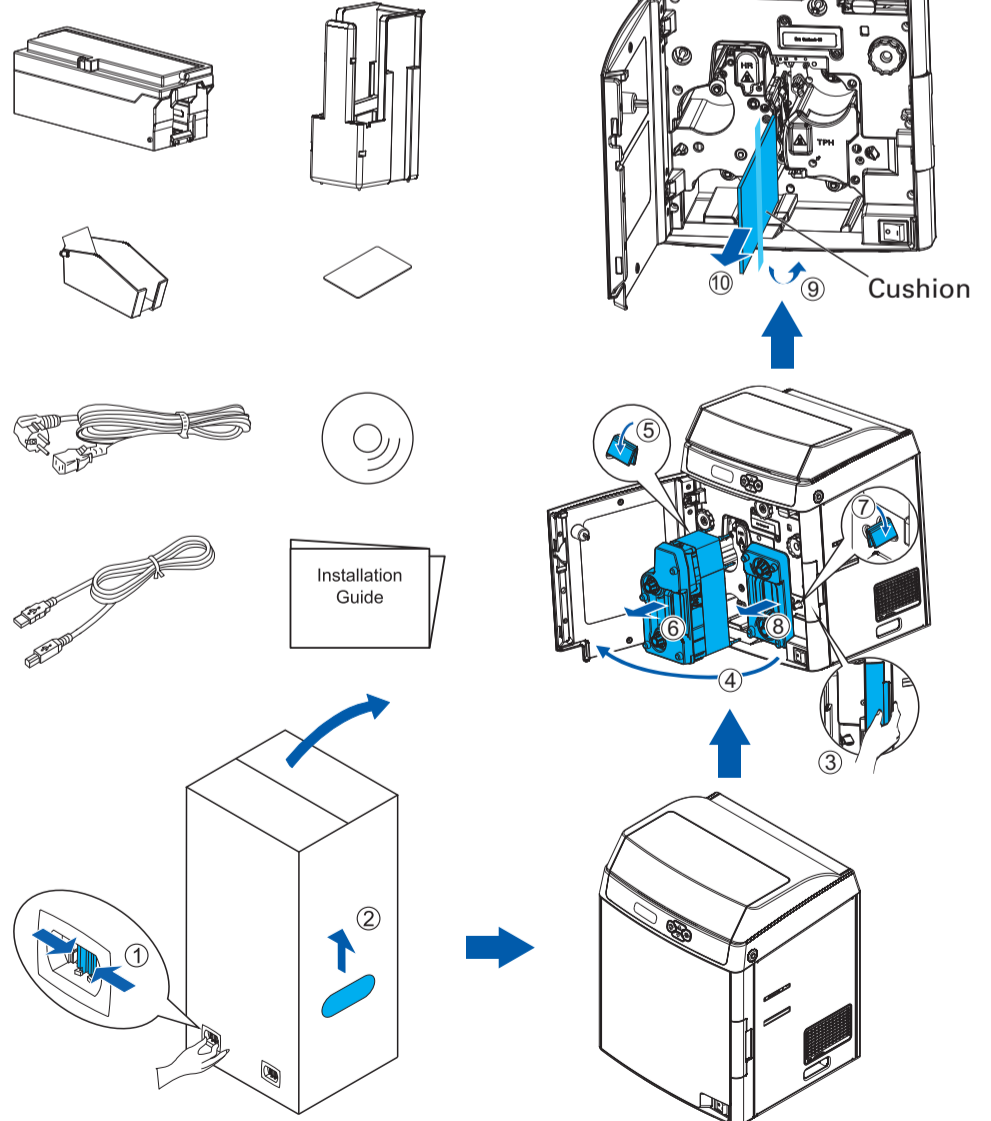
## Manual de instalação

Leia as instruções deste produto antes de usar a impressora. Para obter informações de segurança, consulte o Guia do Usuário e o CD-ROM da impressora.

TR

## Kurulum kılavuzu

Yazıcınızı çalıştırmadan önce, aşağıda belirtilen talimatların hepsini okuyunuz. Detaylı bilgi ve güvenli çalışma tavsiyeleri için, CD-ROM üzerinde bulunan kullanım kılavuzuna başvurunuz.



## DASCOM REPRESENTATIVES:

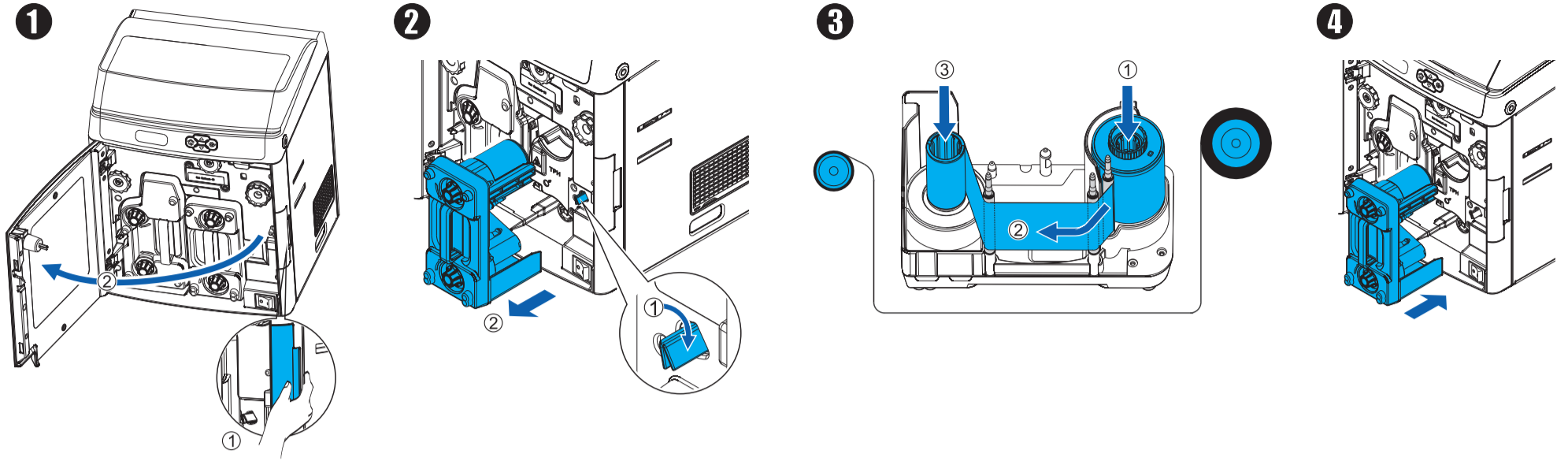
DASCOM Europe GmbH, Heuweg 3, D-89079 Ulm, Germany  
 DASCOM GB Ltd, Hart House, Priestley Road, Basingstoke, Hampshire, RG24 9PU, England  
 DASCOM AP Pte Ltd, 2 Jurong East Street 21, #05-42, IMM Building, Singapore 609601  
 DASCOM Americas LLC, 34 Lakeview Court, Verona, VA 24482, USA

Copyright © 2018 Dascom

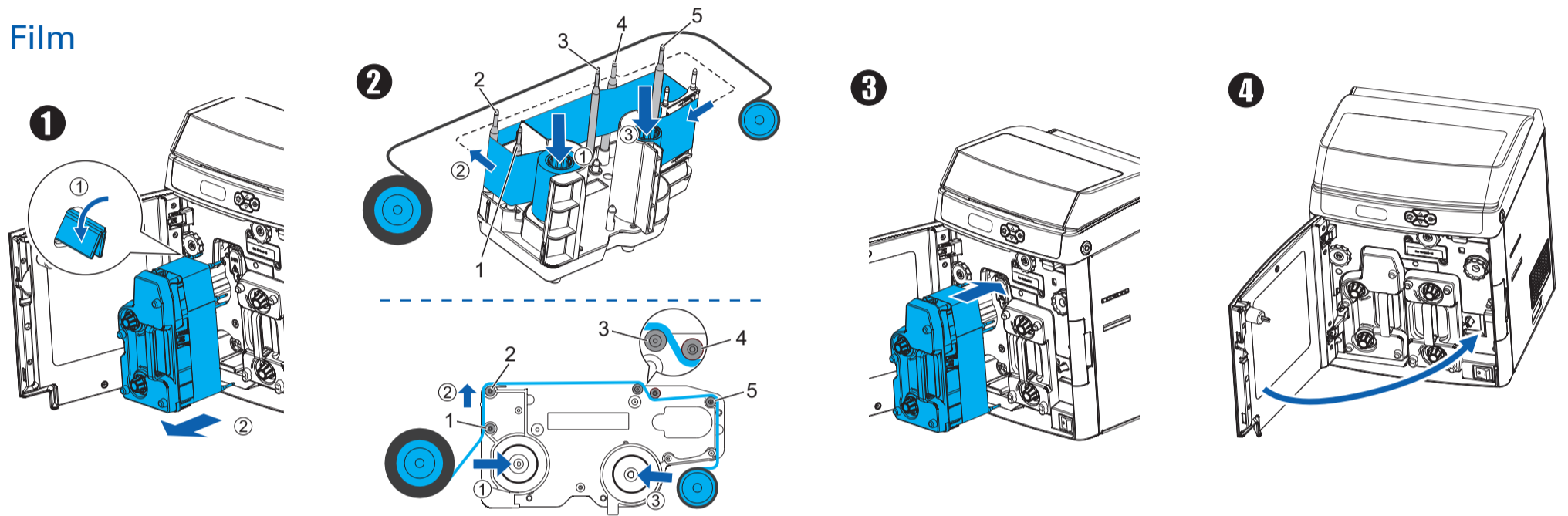
[www.dascom.com](http://www.dascom.com)

21.511.836.0070R

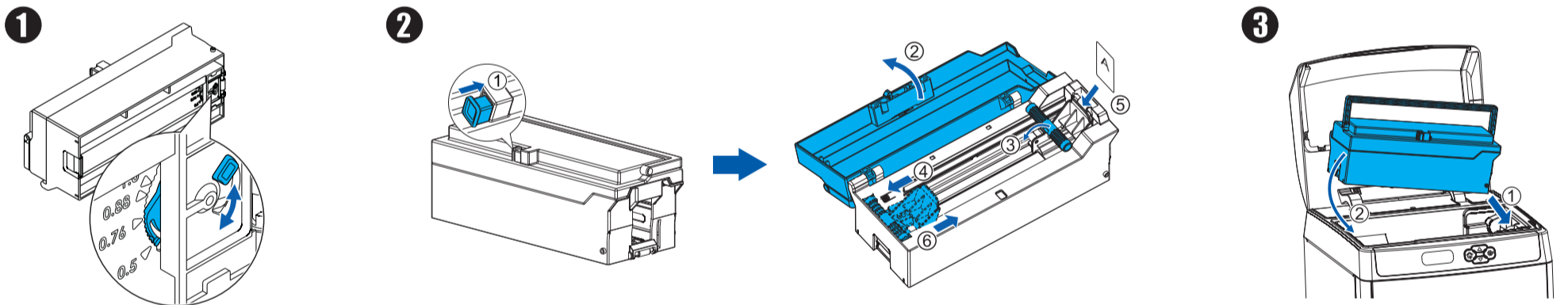
# 1 Ribbon



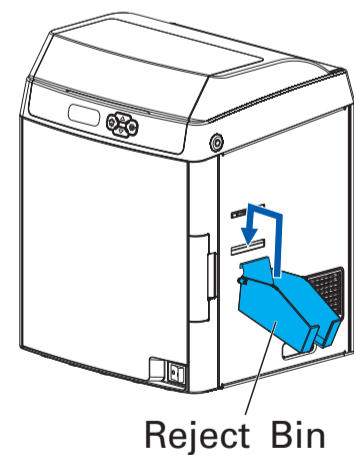
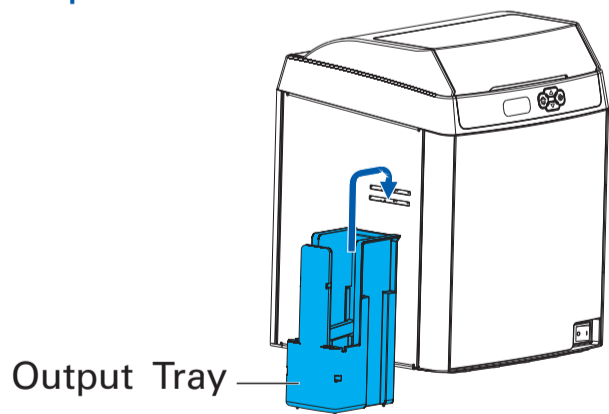
# 2 Film



# 3 Card Input



# 4 Card Output



# 5 Power & USB

