

# DP-530/530L



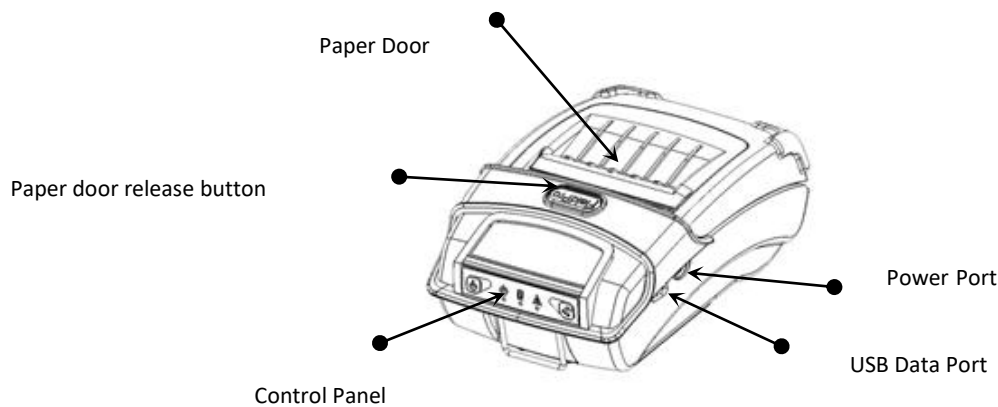
## Quick Start Guide

This guide provides information on the daily use of the DP-530/530L printer. For additional information, please refer to the DP-530/530L User Guide.

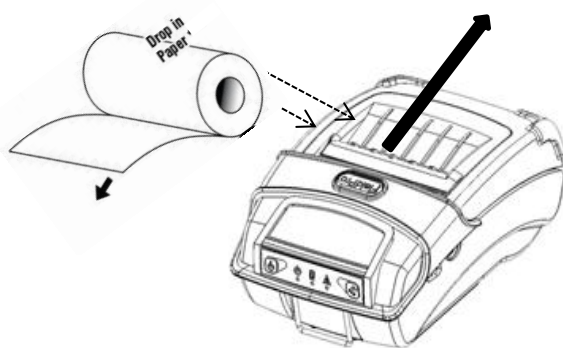
Before you begin, please visit <https://www.dascom.com/downloads.html> Printing Solutions; Download Centre, to download the according printer driver.



### Printer features



### Media



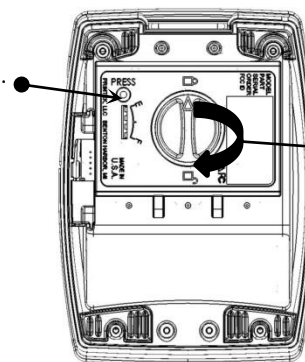
Tear paper towards back of printer

Press Paper door release button to open the paper compartment door. Pull small leader of paper out and close paper door. "Clicks" when properly closed.

NOTE:  
When using 2" paper, install spacer P/N: 93194

### Battery

Press button to see battery charge level.  
4LED 100% charge  
3LED 75%  
2LED 50%  
1LED 25%



Loosen hand strap (not pictured) to access battery door.

Rotate knob 180° to unlock battery door.

Drop in battery.

Close battery door and rotate knob 180° to lock.

### Disposal

Please dispose the batteries separately and free of cost at your sales agency or the designated local collecting points. Therefore please consider the national recycling standards! Disassembly and removal of the batteries are described in the User Guide.

# DP-530 /530L Quick Start Guide

## Control Panel indicators



Power & Status (Green/Red)	Battery (Yellow)	Alert (Red)	Indication
On	X	On	Booting up
On	X	Off	Ready
On	X	Flashing	Paper Error/Lid Open
Flashing	X	Off	Job is arriving
Flashing	X	Off	Job is printing
Flashing	X	Flashing	IP over USB active
X	Solid	X	Charging Battery
	Flashing		Battery Low

	Function:	How to:
Power Button	Power up Power down Toggle IP over USB on/off	Press & Release Press & Hold Press Twice
Paper feed button	Advance paper Print self-test	Press once Press twice

## Self-Test / Configuration print out



To print the configuration report and self-test: With Power on, press the paper feed button twice quickly.  
To access configuration menu refer to Operator's Manual

## USB Access to Printer Web Pages

1. Connect USB cable from printer to host
2. With printer turned on, set the printer into configuration mode by double-clicking the POWER button. Both the Power LED and Fault LED will flash together.
3. Open browser on your host and type [169.254.200.1](http://169.254.200.1) into the address bar of the browser (**Note:** Firefox or Chrome will work best) and hit Enter.
4. A login box should appear.



Some country specific Windows Operating Systems does not have activated or installed the RNDIS driver to use the IP-over-USB mode. Therefore, please refer to our Dascom Internet pages.



Once the printer is connected via USB and in *IP over USB* mode it is temporarily not possible to access the Internet.

5. Type "0000" and hit Enter- you should now be at the home page for DP-530/530L Configuration.
6. To return the printer to normal operating mode, double-click the POWER button. The Power LED will be returned to a solid light.

## Dascom Representatives

Americas  
UK  
Germany  
France  
Singapore (AP)

Dascom Americas Corp  
DASCOM GB Ltd  
DASCOM Europe GmbH  
DASCOM Europe GmbH  
DASCOM AP Pte Ltd

34 Lakeview Court  
Hart House, Priestley Road  
Heuweg 3  
117 Avenue Victor Hugo  
2 Jurong East Street 21

Verona, VA 24482, USA  
Basingstoke, Hampshire, RG24 9PU  
D-89079 Ulm  
92100 Boulogne-Billancourt  
#05-42, IMM Building, Singapore 609601

Phone: +1 (877) 434 1377  
Phone: +44 (0) 1256 355130  
Tel.: +49 (0) 731 2075 0  
Phone: +33 (1)73 02 51 98  
Phone: +65 6760 8833