

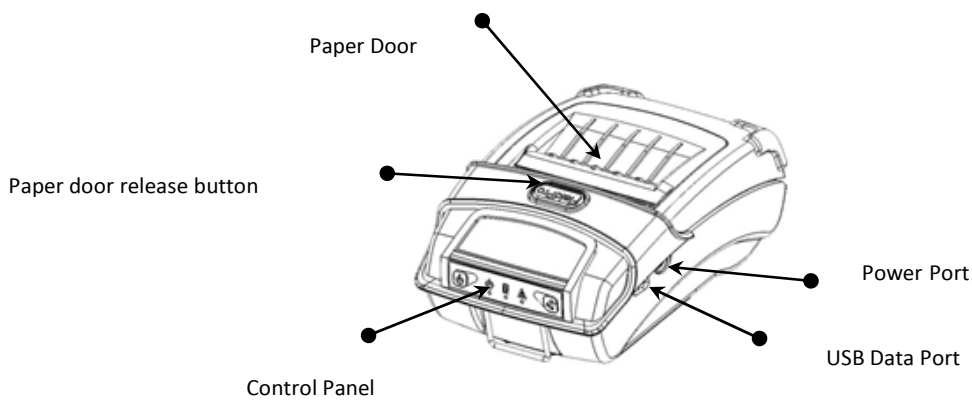
# DP-530



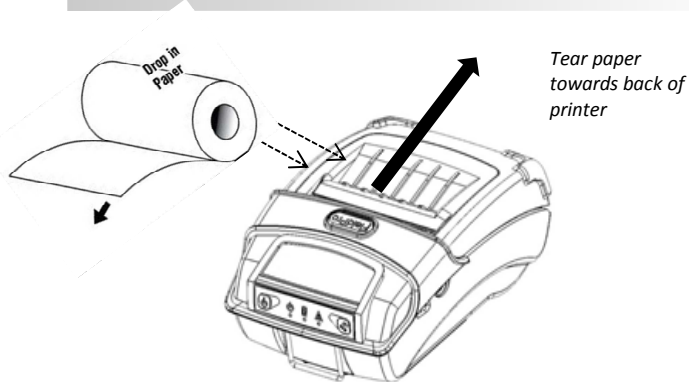
## Quick Start Guide

This guide provides information on the daily use of the DP-530 printer.  
For additional information, please refer to the DP-530 User Guide.

### Printer features



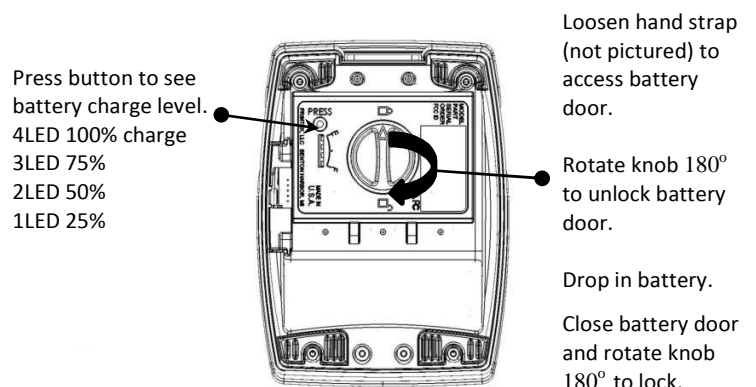
### Media



Press Paper door release button to open the paper compartment door. Pull small leader of paper out and close paper door. "Clicks" when properly closed.

**NOTE:**  
When using 2" paper, install spacer  
P/N: 93194

### Battery



### Disposal

Please dispose the batteries separately and free of cost at your sales agency or the designated local collecting points. Therefore please consider the national recycling standards! Disassembly and removal of the batteries are described in the User Guide.

# DP-530 Quick Start Guide

## Control Panel indicators



Power & Status (Green/Red)	Battery (Yellow)	Alert (Red)	Indication
On	X	On	Booting up
On	X	Off	Ready
On	X	Flashing	Paper Error/Lid Open
Flashing	X	Off	Job is arriving
Flashing	X	Off	Job is printing
Flashing	X	Flashing	IP over USB active
X	Solid	X	Charging Battery
	Flashing		Battery Low

	Function:	How to:
Power Button 	Power up Power down Toggle IP over USB on/off	Press & Release Press & Hold Press Twice
Paper feed button 	Advance paper Print self-test	Press once Press twice

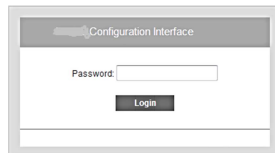
## Self-Test / Configuration print out



To print the configuration report and self-test: With Power on, press the paper feed button twice quickly.  
To access configuration menu refer to Operator's Manual

## USB Access to Printer Web Pages

1. Connect USB cable from printer to host
2. With printer turned on, set the printer into configuration mode by double-clicking the POWER button. Both the Power LED and Fault LED will flash together.
3. Open browser on your host and type 169.254.200.1 into the address bar of the browser (**Note:** Firefox or Chrome will work best) and hit Enter.
4. A login box should appear.



5. Type "0000" and hit Enter- you should now be at the home page for DP-530 Configuration.
6. To return the printer to normal operating mode, double-click the POWER button. The Power LED will be returned to a solid light.



Once the printer is connected via USB and in *IP over USB* mode it is temporarily not possible to access the Internet.

## Dascom Representatives

Americas	Dascom Americas Corp	34 Lakeview Court	Verona, VA 24482, USA	Phone: +1 (877) 434 1377
UK	DASCOM GB Ltd	Hart House, Priestley Road	Basingstoke, Hampshire, RG24 9PU	Phone: +44 (0) 1256 481481
Germany	DASCOM Europe GmbH	Heuweg 3	D-89079 Ulm	Tel.: +49 (0) 731 2075 0
France	DASCOM Europe GmbH	117 Avenue Victor Hugo	92100 Boulogne-Billancourt	Phone: +33 (1)73 02 51 98
Singapore (AP)	DASCOM AP Pte Ltd	21 Bukit Batok Crescent	#29-81, WCEGA Tower, 658065	Phone: +65 6760 8833