

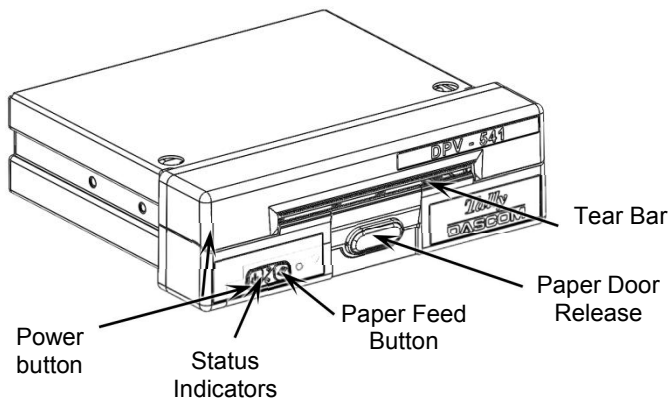
DPV-541



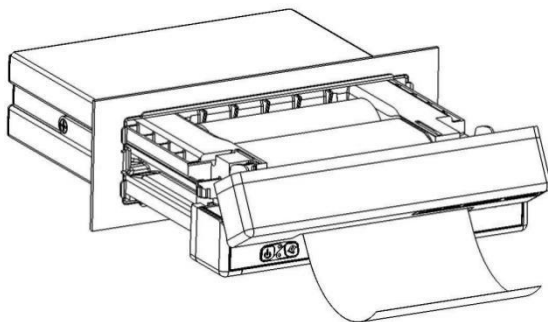
Quick Start Guide

This guide provides information on the daily use of the DPV-541 printer.
For additional information, please refer to the DPV-541 Operator's Manual.
Please visit www.dascom.com to download latest printer drivers and manuals.

Printer Features



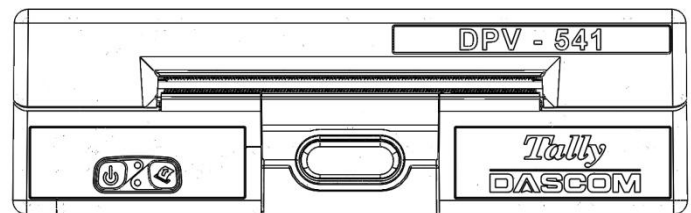
Loading Paper



Push paper door release, pull out drawer, drop in paper roll and route through door as shown.

Printouts can be torn off in either direction.

Status Indications – Patterns & Meanings



○		Printer is Off.
●	Green	Printer is On.
☀	Green	Printer is receiving data and/or printing, or is in Setup mode.
☀	RED	Paper out, Paper Door is open, or printer is in set up mode.

○ = Off ● = On ☀ = Flashing

Printer Self-Test and Configuration Printout

To print configuration page and conduct printer self-test, with power on, double click the paper feed button.

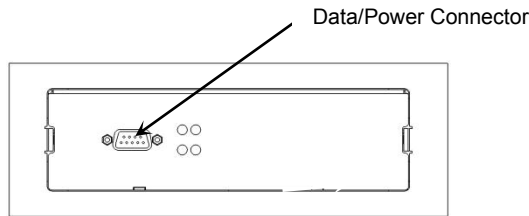
DPV-541 Quick Start Guide

Cable Installation

Dascom provides a single 9-pin D-connector that plugs into the back of the DPV-541 printer. This connection provides for both data communication and power to the printer. The cable has a USB-A connection to plug into the host. The cable has two unterminated power wires coming out of the connector. The positive cable is marked with red.

The Red labeled wire in the power cable may be connected to a 9-32 VDC source and the Black wire is to be connected to vehicle ground. The printer's power input should be connected to a fused circuit that is capable of providing at least 5A.

If not using a Dascom cable, the printer connections are defined in the following table.



Data/Power Connector Pin Assignments

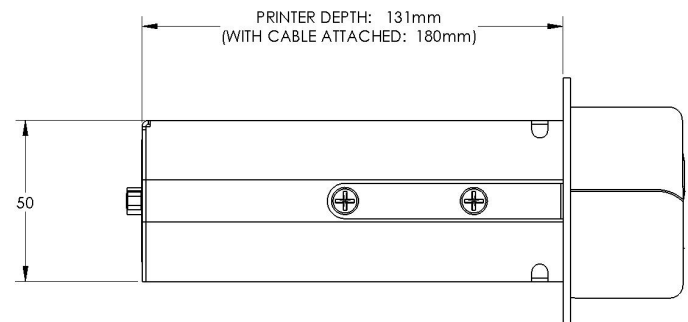
Pin	Description
1	USB Ground
2	D-
3	D+
4	USB +5V
5	Power Ground
6	USB Shield*
7	NC
8	Power (9-32 VDC)
9	NC

*Note: Do not use USB Shield as power ground.

Interface Settings

Bluetooth® (Optional)	WiFi (Optional)
Pairing Mode: Paired	DHCP
Security: Off	Static
Role Policy: Defer	Access Point
Discoverability: On	
Local Name: VP-SerialNumber	
Pin: 0000	

Printer Installation



To complete the installation, secure the data/power cable connector to the back of the printer, insert the printer into the dash/console.

Vehicle Console Manufacturer*	Mounting Plate Purchase Number
tbd	tbd
tbd	tbd
tbd	tbd
tbd	tbd

*Console slot depth must meet or exceed about 180 mm.

Dascom Representatives

Americas	Dascom Americas Corp	34 Lakeview Court	Verona, VA 24482, USA	Phone: +1 (877) 434 1377
UK	DASCOM GB Ltd	Hart House, Priestley Road	Basingstoke, Hampshire, RG24 9PU	Phone: +44 (0) 1256 481481
Germany	DASCOM Europe GmbH	Heuweg 3	D-89079 Ulm	Phone: +49 (0) 731 2075 0
France	DASCOM Europe GmbH	117 Avenue Victor Hugo	92100 Boulogne-Billancourt	Phone: +33 (1)73 02 51 98
Singapore (AP)	DASCOM AP Pte Ltd	2 Jurong East Street 21	#05-42, IMM Building, Singapore 609601	Phone: +65 6760 8833