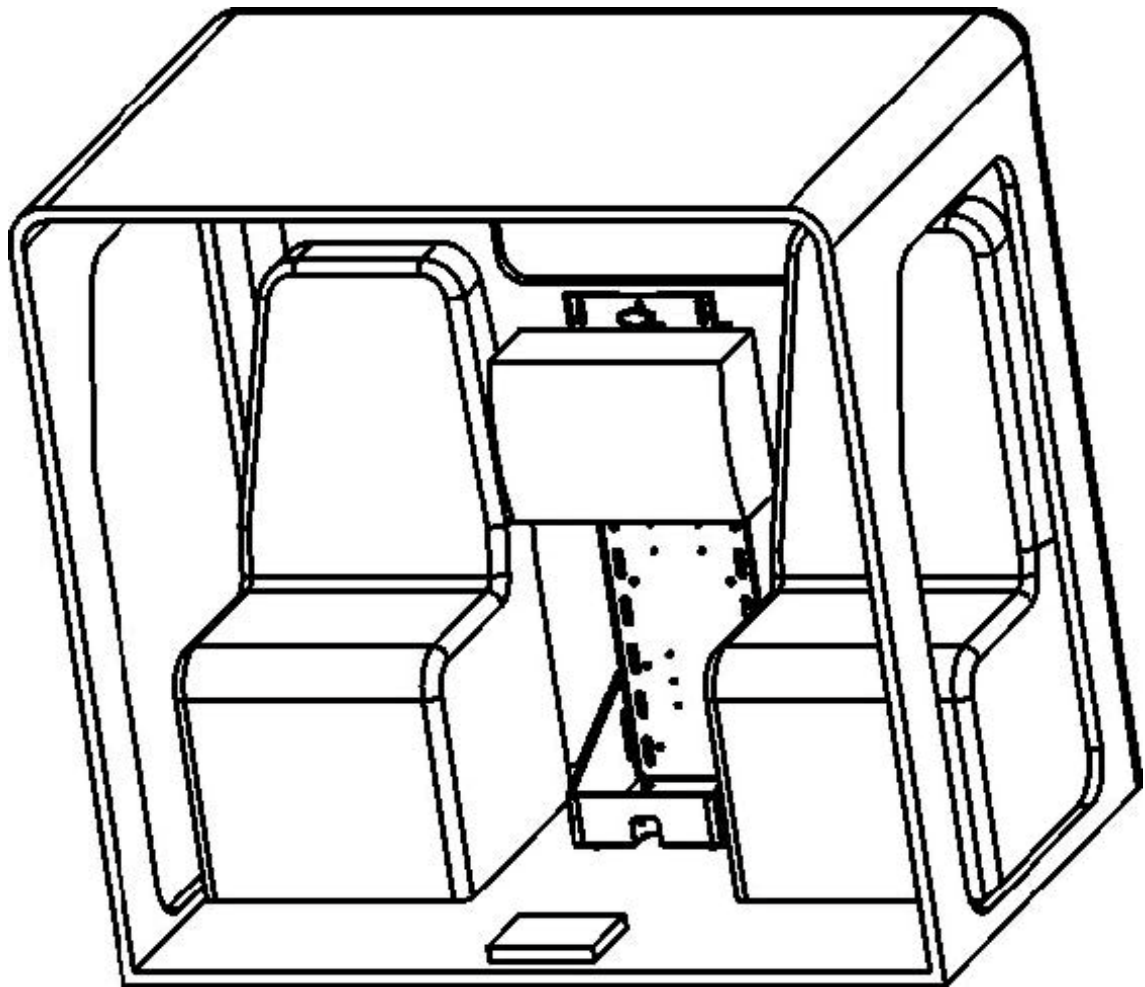




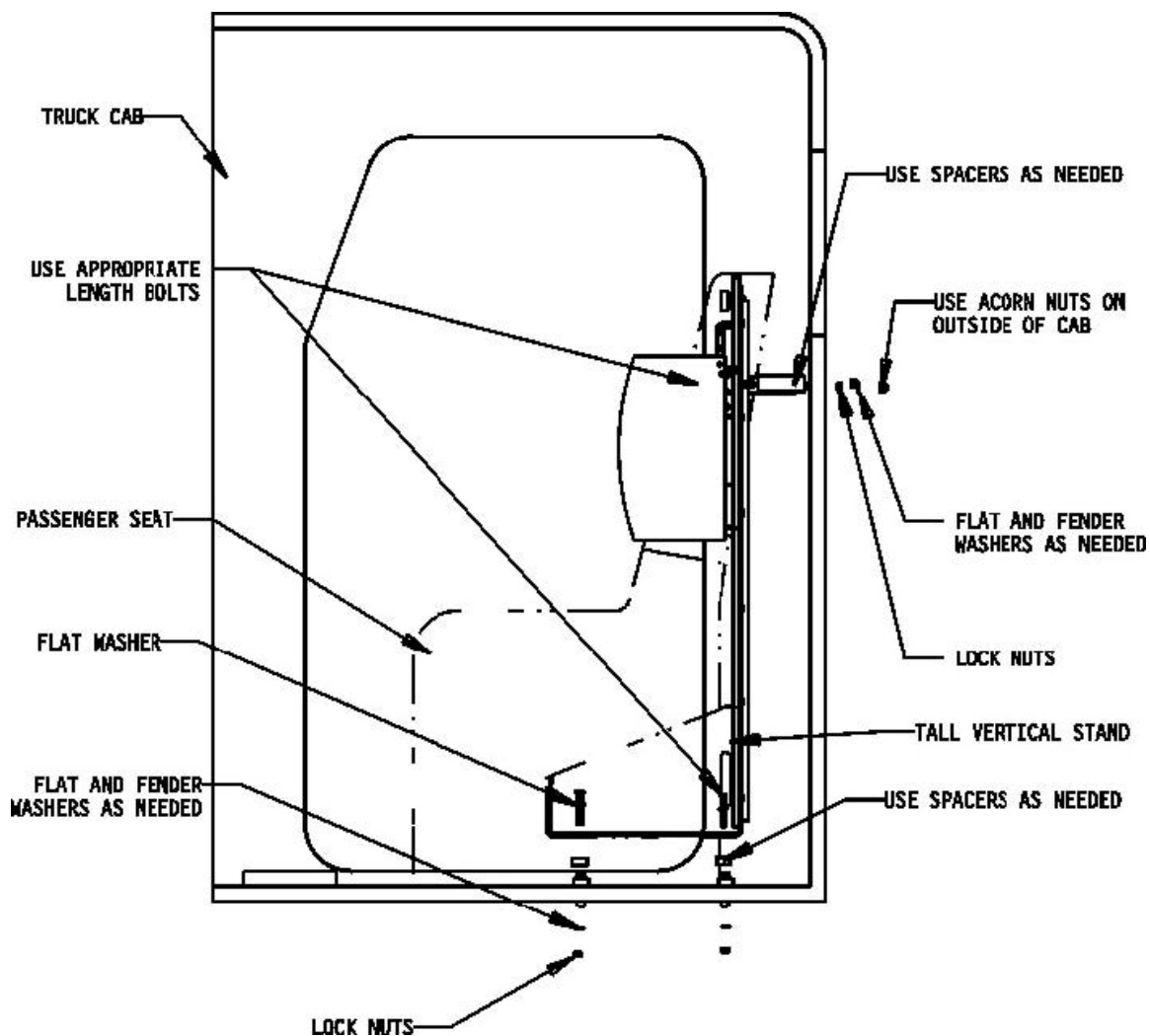
Tally MIP480

**MOBILE PRINTER
TRUCK MOUNT
GUIDE**

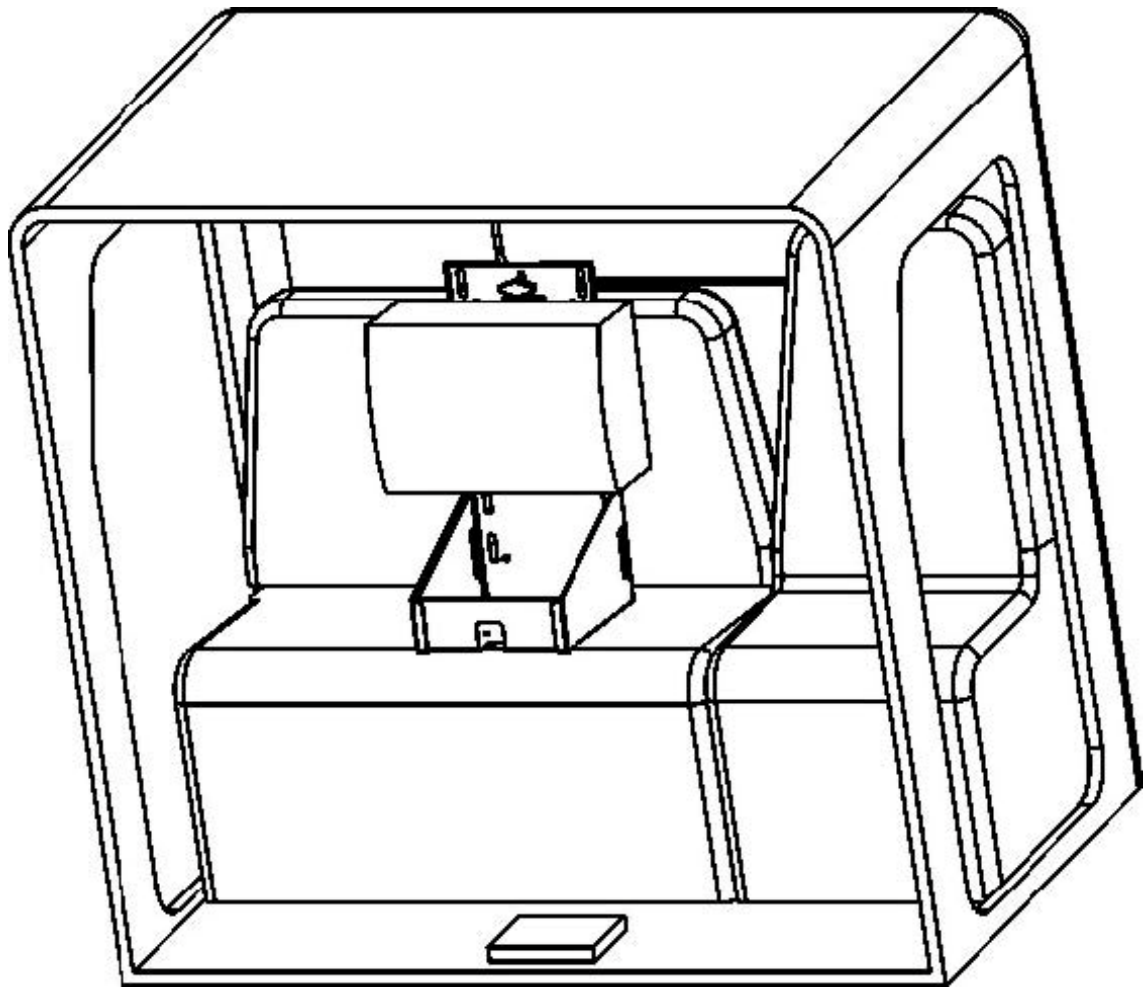
Vertical Printer Stands (BUVL, BEVL)



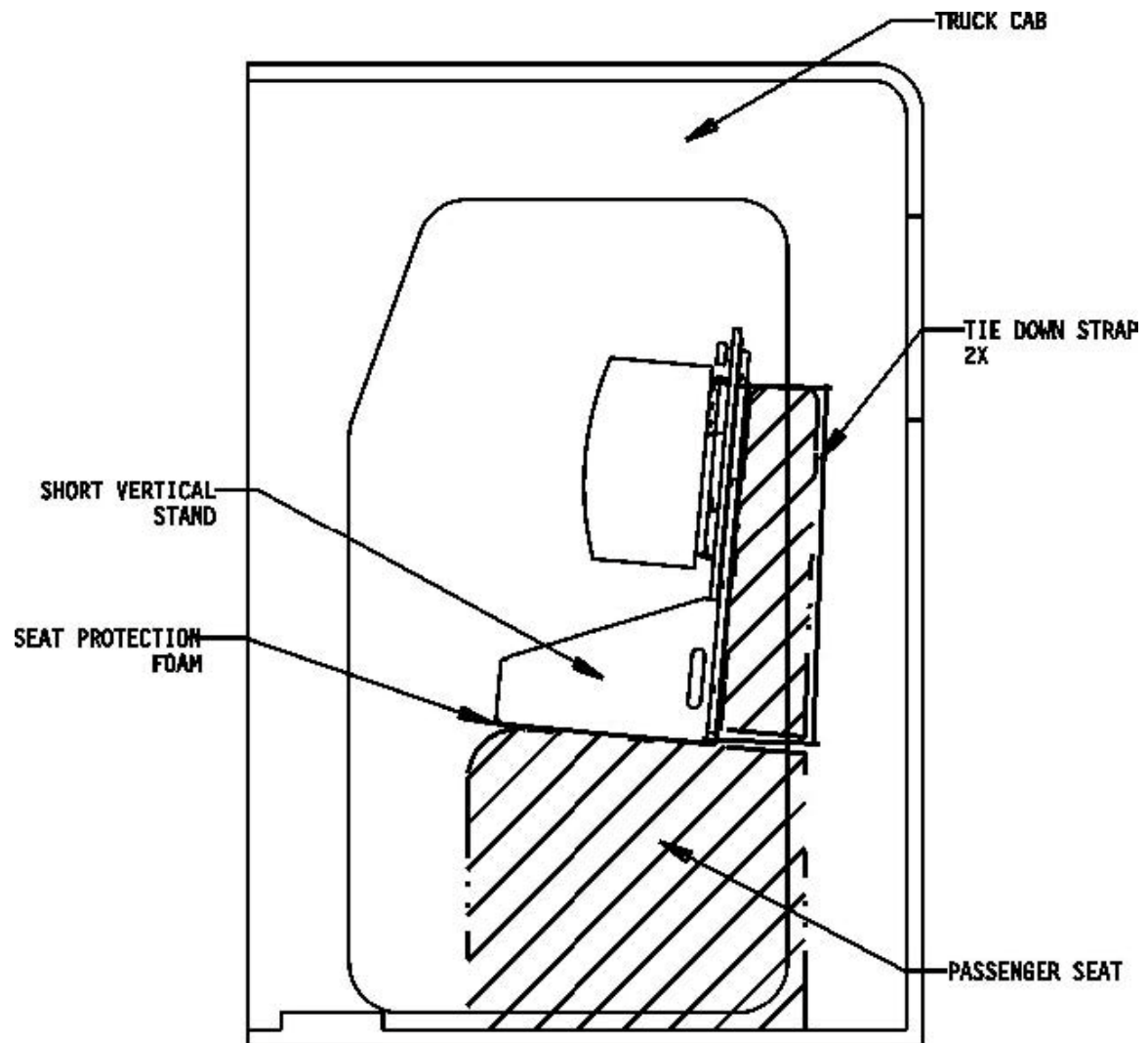
**BUVL01 OR BUVL03, VERTICAL PRINTER STAND 36"
(BOLTED TO CAB FLOOR AND CAB BACK)**



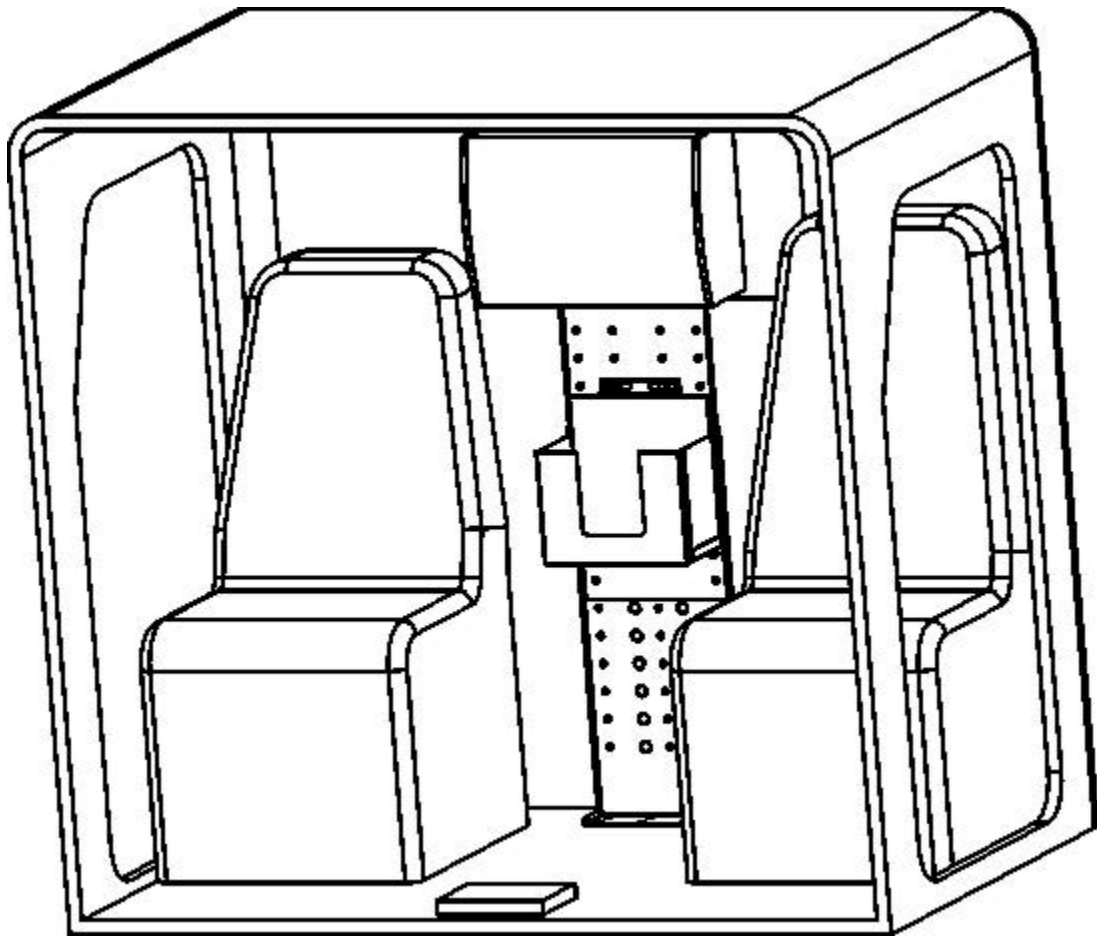
**BUVL01 OR BUVL03, VERTICAL PRINTER STAND 36"
(SIDE VIEW)**



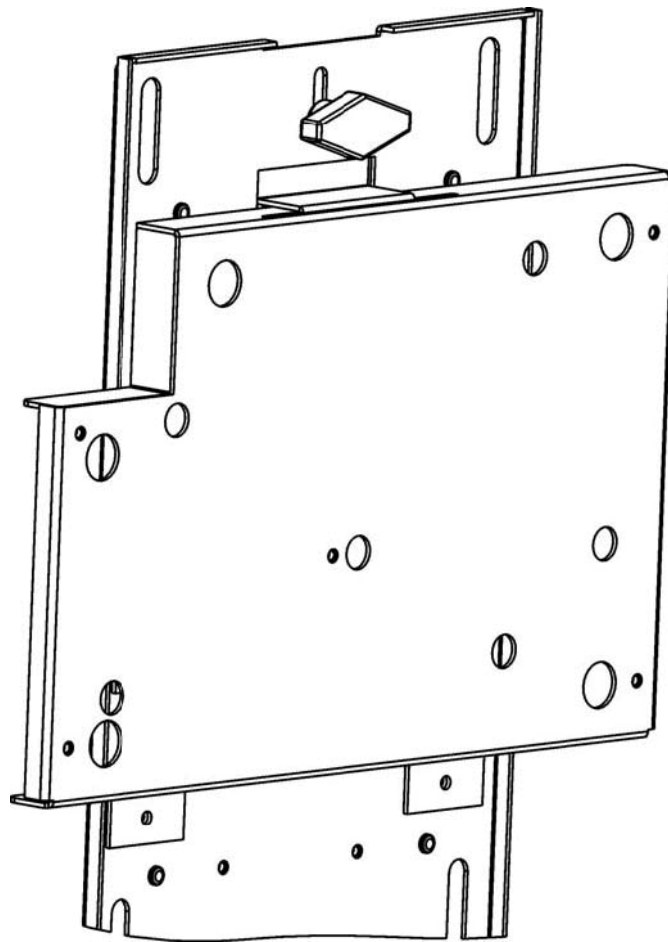
**BEVL01 OR BEVL03, VERTICAL PRINTER STAND 24"
(STRAPPED TO THE BACK OF A BUCKET SEAT)**



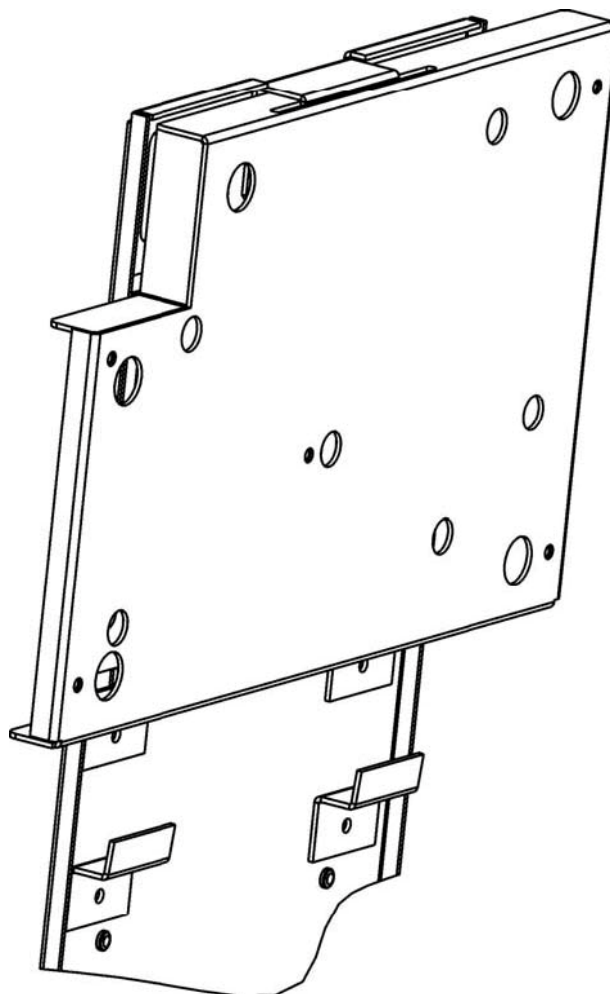
**BEVL01 OR BEVL03, VERTICAL PRINTER STAND 24"
(SIDE VIEW)**



**TELESCOPING PRINTER STAND
BCVL01, BCVL02 (6 " PAPER BOX SHOWN ABOVE) OR BCVL03
FOR NARROW BUCKET SEAT APPLICATIONS
(BOLTED TO REAR WALL OF CAB)**



LOW MOUNT CLAMP ASSEMBLY CONFIGURATION



OPTIONAL HIGH MOUNT CLAMP KIT, 1A4297K01, CONFIGURATION

**NOTE: WHEN MOUNTING, ALLOW CLEARANCE
FOR KNOB LOCATED ON BACKSIDE**

**NOTE: THIS INSTRUCTION MAY ALSO BE USED WITH
OTHER SIMILAR KITS OR MODELS NOT SPECIFICALLY LISTED ABOVE.**